

iRS Series
LED Surface Mounted Canopy Light



Overview

- √ Simplistic and charming design, less is more
- √ Surface Mounted design, fit for gas station with single roof
- √ Luminous efficacy up to 130lm/w, lifespan up to 62,000+ hours



5 Year Warranty for the entire luminaire

Reliable LED Lighting Technology

The special Reliable LED Lighting Technology provides significant advantages in terms of luminous efficiency, minimising losses refraction and reflection inside the optical system. This system ensures a lower density of dirt and maintaining the luminaire performance for a very long period.



Protect the LED Source

As the key to guarantee the total life span of the luminaire, the protection of the LED source is the core topic in the designing of luminaire. The carefully selected Mitsubishi PC cover and waterproof rubber ring ensured the total IP of the whole product. And it also protect the LED chip from the external agents and impact.

Temperature Control

i Series is designed with superb heat radiation technique. The heat and air can go through the whole luminaire via the gaps between the modules. This product also has a self-clean ability. When the rain came, the fixture will be washed and the dirt automatically goes out.

By the excellent heat radiation ability, **the temperature rising of iL street light is only <math><26\text{ }^{\circ}\text{C}</math>**. And the lamp can work in the environment from

80WiRS

LED Surface Mounted Canopy Light, 160-200W HID Replacement



New



Optical control function optional
 Dimming functions optional
 +Three in One (1-10V DC / PWM / Resistance)
 +Timer - Contact for Details

Specifications

Electrical Specifications

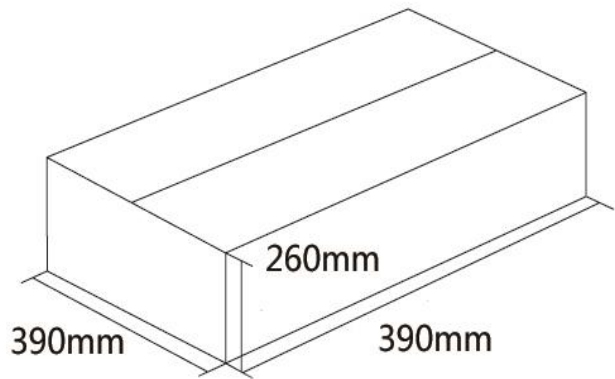
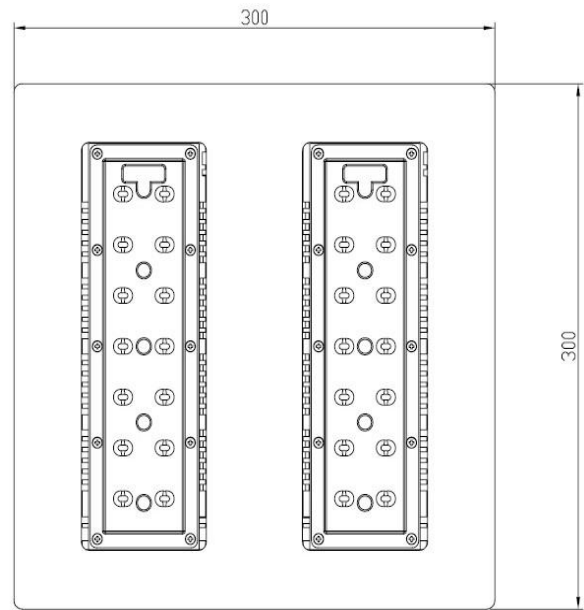
Model No.	80WiRS
Nominal Wattage	80W
Nominal Voltage	90-305VAC, 50/60Hz
Maximum Current	AC 0.9A (max)
Power Factor (PF)	>0.95
Driver Efficiency	>92%

Photometric Specifications

Luminous Flux	+Lumen tolerance +/- 5% 8,000-8,800lm
CRI	Ra>78
CCT	3000K/4000K/5000K/5700K/6500K
Optional Beam Angle	90°/100°, 30°, 60°, 120°

Mechanical Specifications

IP Rating	IP65
Lifetime	62000 hours - L70, @25°C
Heat Radiator	Anodized Aluminum
Lens	PC
Fixture Dimension	300*300*97mm 11.9*5.9*7.2 inches
Net Weight	5.2kg
Carton Dimension	390*390*260mm
Gross Weight	6.6kg



120WiRS

LED Surface Mounted Canopy Light, 240-280W HID Replacement



New



- Optical control function optional
- Dimming functions optional
- +Three in One (1-10V DC / PWM / Resistance)
- +Timer - Contact for Details

Specifications

Electrical Specifications

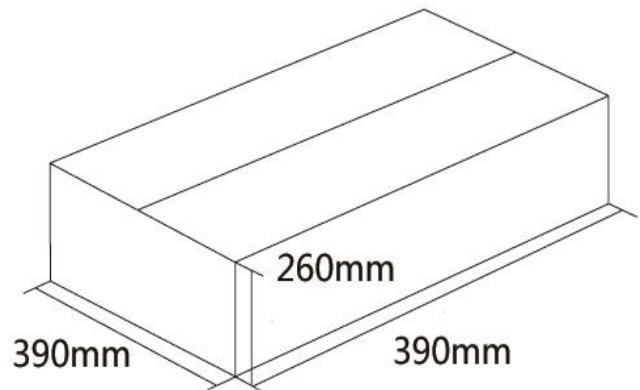
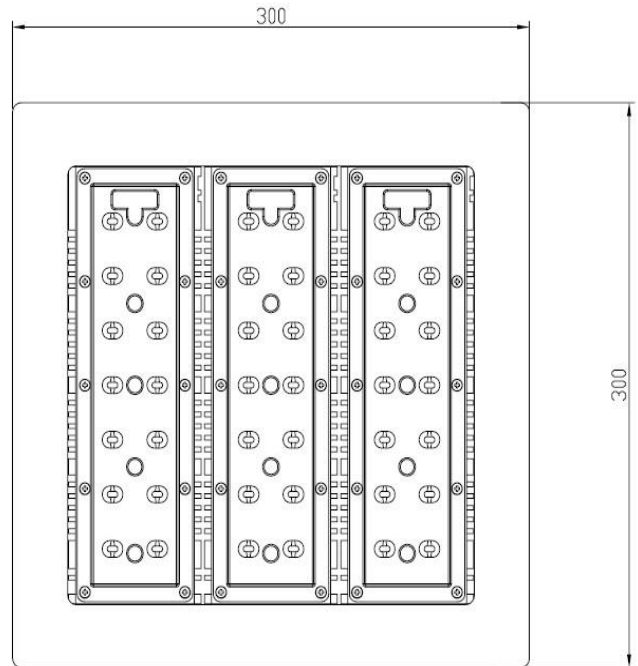
Model No.	120WiRS 120W
Nominal Wattage	90-305VAC, 50/60Hz
Nominal Voltage	
Maximum Current	AC 1.35A (max)
Power Factor (PF)	>0.95
Driver Efficiency	>92%

Photometric Specifications

Luminous Flux	+Lumen tolerance +/- 5%
	12,000-13,200lm
CRI	Ra>78
CCT	3000K/4000K/5000K/5700K/6500K
Optional Beam Angle	90°*100°, 30°, 60°, 120°

Mechanical Specifications

IP Rating	IP65
Lifetime	62000 hours - L70, @25°C
Heat Radiator	Anodized Aluminum
Lens	PC
Fixture Dimension	300*300*97mm
	11.9*12.2*7.7 inches
Net Weight	6.2kg
Carton Dimension	390*390*260mm
Gross Weight	8.7kg



160WiRS

LED Surface Mounted Canopy Light, 320-400W HID Replacement



New



- Optical control function optional
- Dimming functions optional
- +Three in One (1-10V DC / PWM / Resistance)
- +Timer - Contact AOK for Details

Specifications

Electrical Specifications

Model No.	160WiRS 160W
Nominal Wattage	90-305VAC, 50/60Hz
Nominal Voltage	
Maximum Current	AC 1.80A (max)
Power Factor (PF)	>0.95
Driver Efficiency	>92%

Photometric Specifications

Luminous Flux	+Lumen tolerance +/- 5%
	16,000-17,600lm
CRI	Ra>78
CCT	3000K/4000K/5000K/5700K/6500K
Optional Beam Angle	90°/100°, 30°, 60°, 120°

Mechanical Specifications

IP Rating	IP65
Lifetime	62000 hours - L70, @25°C
Heat Radiator	Anodized Aluminum
Lens	PC
Fixture Dimension	300*300*97mm
	11.9*12.2*15.4 inches
Net Weight	7.2kg
Carton Dimension	390*390*260mm
Gross Weight	9.8kg

